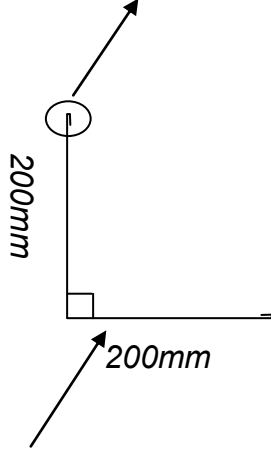
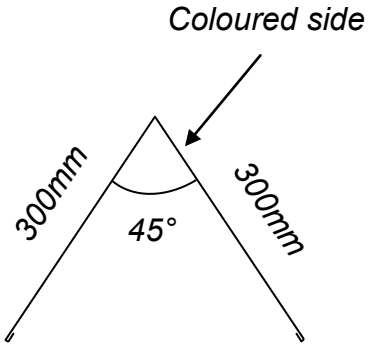




### Example Flashing Drawings

Please use the following format when drawing flashings for order.

Item A		<p>Please indicate safety edges as shown below where required</p>  <p>Coloured side</p>	Item B		 <p>Coloured side</p>
Material	Plastisol		Material	Polyester	
Gauge	0.7		Gauge	0.7	
Colour	Juniper Green		Colour	Slate Blue	
Girth	400mm		Girth	600mm	
Safety Edges	2		Safety Edges	2	
Quantity	3		Quantity	8	
Length	3000 mm		Length	3000mm	

Customer Name	Mr A Claddex
Tel	02476 650 555
Email	sales@claddex.co.uk
Date	01/01/1995
Customer Signature	Mr A Claddex